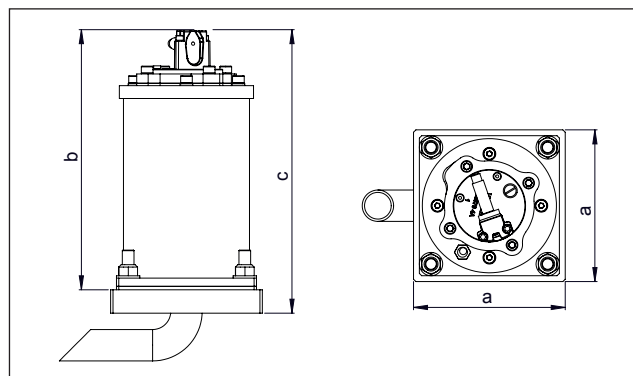




## TECHNICAL DATA SHEET

Overall dimension			
Type	PG		
	a	b	c
	mm	mm	mm
PG 40	130	220	243
PG 63	160	260	283
PG 80	200	308	336



Features				
Type	Air consumption		i Ø Pipe	Air Nipple
	NI		mm	Inch GAS
	3 bar	6bar		
PG 40	3,6	5,3	6	1/8" GAS
PG 63	6,4	11,6	8	1/4" GAS
PG 80	12,5	21	8	1/4" GAS

APPLICATION	HOPPER AND SILO
POWDER	LARGE SIZE, IRREGULAR SHAPE, FIBROUS DUST AND FLAKES
PROBLEM SOLVING	BRIDGE AND RAT-HOLING
FEATURES	
DUTY CICLE	DISCONTINUOUS
WORKING PRESSURE	FROM 3 BAR TO 6 BAR (FROM 43 PSI TO 87 PSI)
PNEUMATIC CIRCUIT	FILTER+FLOW CONTROL VALVE
AIR SUPPLY QUALITY	CLASS 5.4.1.
WORKING TEMPERATURE	FROM -20°C TO 80°C (FROM -4°F TO 176°F)
MAX NOISE LEVEL	105 dB(A)
TECHNOLOGY	HIGH PRESSURE JET
OPTION	
TIMER	ADJUSTABLE FROM 30SEC TO 45MIN
MULTI-TENSION COILS	FROM 24V (AC/DC) TO 230V
FULLY PNEUMATIC KIT	AVAILABLE