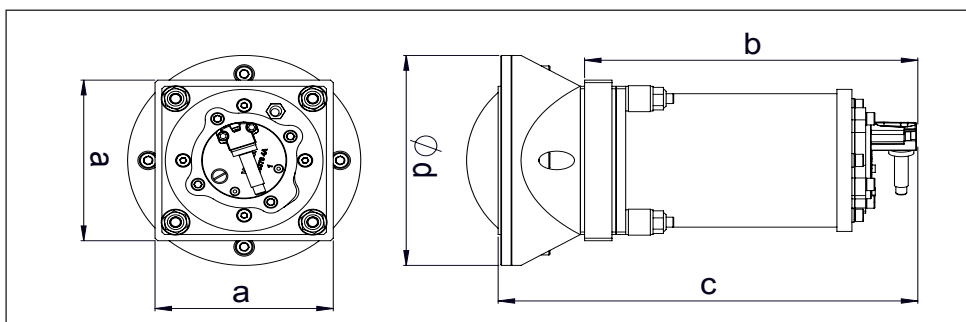




## TECHNICAL DATA SHEET

Overall dimension				
Type	PJ			
	a	b	c	Ød
	mm	mm	mm	mm
PJ 40	130	220	306	170
PJ 63	160	260	363	222
PJ 80	200	308	435	280



Type	Features							
	Energy	Force	Energy	Force	Air Consumption		i Ø Pipe	Air Nipple
	J	N	J	N	NI		mm	Inch GAS
	3 bar		6 bar		3 bar	6 bar		
PJ 40	8.4	199	18.1	429	3.6	5.3	6	1/8" GAS
PJ 63	28.8	589	62	1268	6.4	11.6	8	1/4" GAS
PJ 80	59.2	846	153	2186	12.5	21	8	1/4" GAS

APPLICATION	HOPPER AND SILO
POWDER	FINE AND DUST
PROBLEM SOLVING	BRIDGE AND RAT-HOLING
<b>FEATURES</b>	
DUTY CICLE	DISCONTINUOUS
WORKING PRESSURE	FROM 3 BAR TO 6 BAR (FROM 43 PSI TO 87 PSI)
PNEUMATIC CIRCUIT	FILTER+FLOW CONTROL VALVE
AIR SUPPLY QUALITY	CLASS 5.4.1.
WORKING TEMPERATURE	FROM -20°C TO 80°C (FROM -4°F TO 176°F)
MAX NOISE LEVEL	125 dB(A)
TECHNOLOGY	SINGLE IMPACT + HIGH PRESSURE BLAST
<b>OPTION</b>	
TIMER	ADJUSTABLE FROM 30sec TO 45min
MULTI-TENSION COILS	FROM 24V (AC/DC) TO 230V
FULLY PNEUMATIC KIT	AVAILABLE